

# Style 850

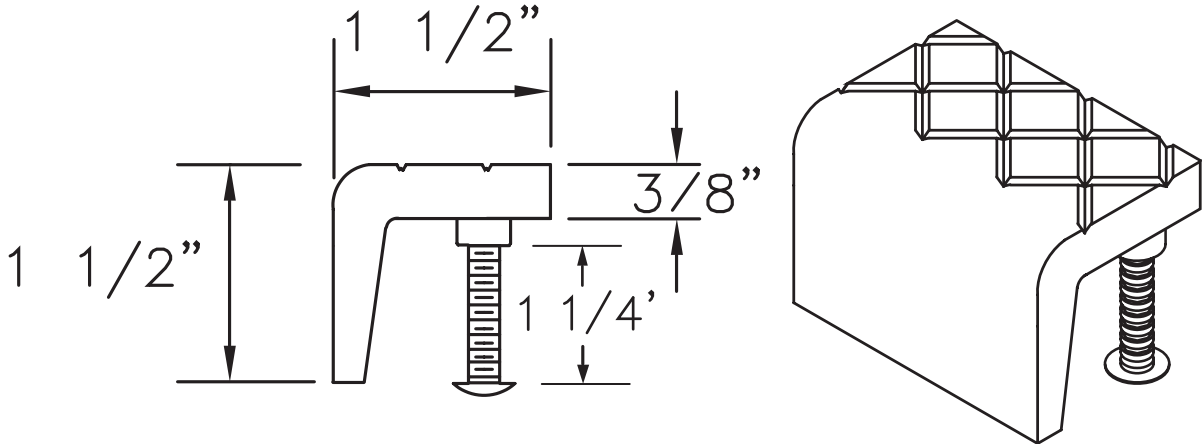
Metal Choices:

**FERACAST** (Cast Iron)  
Furnished with one coat of black paint

**ALUMACAST** (Cast Aluminum)  
Furnished in natural metal finish

**BRONZACAST** (Cast Bronze)  
Furnished in natural metal finish

**Surface Design: Cross Hatched**  
Non-Slip cast metal stair nosing with #24 virgin grain Silicon Carbide abrasive granules embedded into the walking surface while the matrix is in a molten state.



### BILL OF MATERIAL

METAL CHOICE	QUANTITY	WIDTH	LENGTH	ANCHOR CHOICE	LOCATION

**CUSTOMER:**

**PROJECT:**

**PO#:**

**DATE:**

**AMERICAN SAFETY TREAD CO., INC.** • PO BOX 611 • HELENA, AL 35080  
 Phone: 800.245.4881 • 205.664.0511 • Fax: 205.663.9610  
 sales@americansafetytread.com • www.americansafetytread.com

