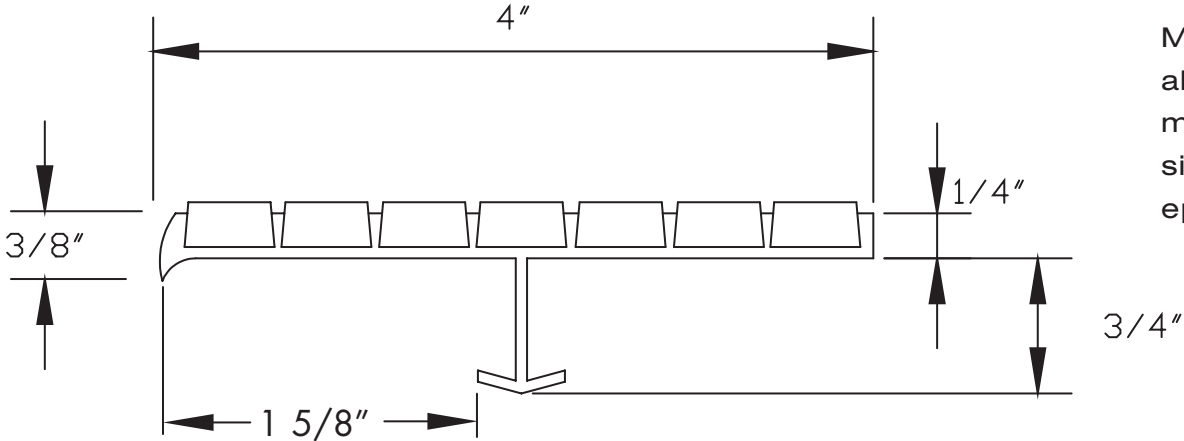


Type 9711

Manufactured of heat treated extruded aluminum alloy 6063-T-6, filled with a mixture of virgin aluminum oxide and silicon carbide abrasive granules in an epoxy binder.



BILL OF MATERIAL		
QUANTITY	LENGTH	LOCATION

COLOR CHOICES
BLACK
SAFETY YELLOW
BROWN
BLUE
SAFETY ORANGE
GREY
GREEN
RED
BUFF
BURGUNDY
SAFETY GLOW

CUSTOMER:
PROJECT:
PO#:
DATE:

AMERICAN SAFETY TREAD CO., INC. • PO BOX 611 • HELENA, AL 35080
 Phone: 800.245.4881 • 205.664.0511 • Fax: 205.663.9610
 sales@americansafetytread.com • www.americansafetytread.com

